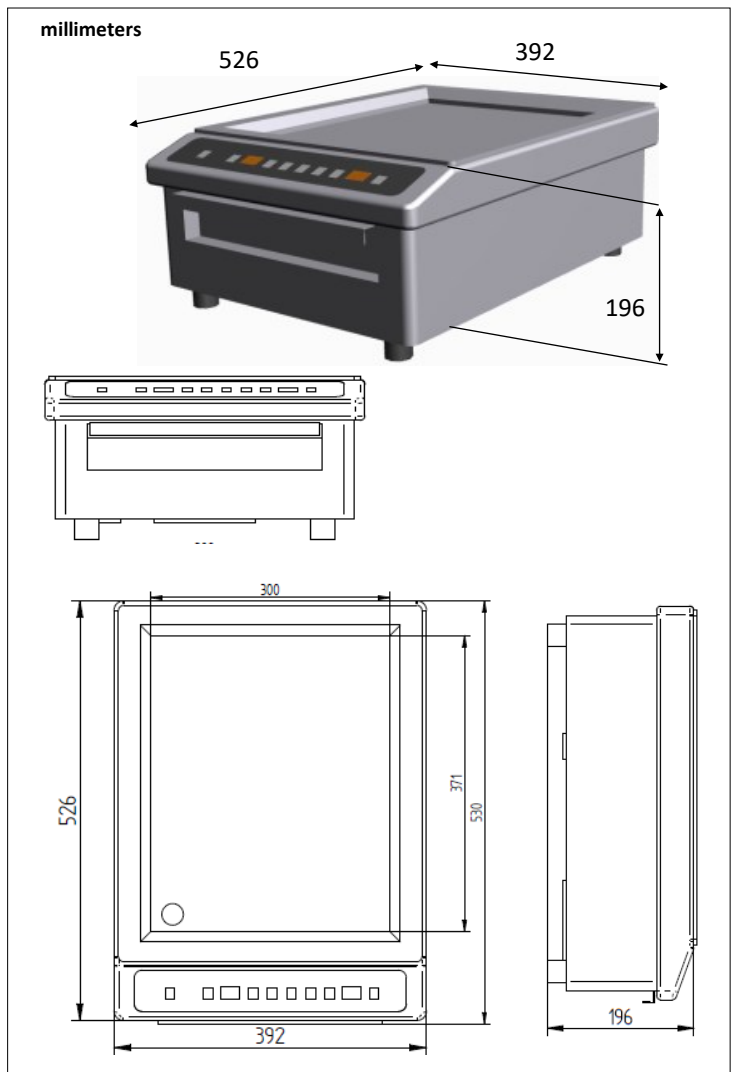


TECHNICAL FEATURES	
<b>External structure</b>	Stainless steel.
<b>Dimensions</b>	526 x 392 x 196
<b>Power</b>	3000W
<b>Cooking surface</b>	Multilayer surface - 371x300mm
<b>Control panel</b>	Capacitive touches control panel
<b>Amp</b>	13 A
<b>Functions</b>	On/Off, manual power setting (+/-) and timer control with 2 digits display (works for both timer and power). Booster touch : maximum power.  Temperature setting from 50 to 250°C 3 storable programs (P1 / P2 / P3)
<b>Power supply</b>	230 V; 208/240 V ; AC 50 - 60 Hz
<b>Weight</b>	17,8 kg / 37,5 lbs.
<b>Standards</b>	Complies with European standards for safety of electrical appliances.
<b>Details &amp; Options</b>	Including a power cord and a filter (wash regularly). Spatula included. Grease drain tube + collection tray.



**ADVENTYS**  
Route de Pagny - 21250 Seurre - France  
www.adventys.com  
sales@adventys.com  
T: +33 3 80 20 46 15

**Important note**

Adventys reserves the right to modify specifications without notice.

